

PROUDLY MANUFACTURED IN THE U.S.A.

SMARTER • FASTER • SAFER

PLATINUM SERIES SIX SHOOTER



**Product
Manual**

Table of Contents

Welcome	iii
Contact Us.....	iii
Mr. Manhole Parts Warranty.....	iii
<hr/>	
Safety Summary.....	iv
Warnings and Cautions.....	iv
Warning and Caution Statement Definitions	iv
Note Statements	iv
Note Statement Definition	iv
<hr/>	
General Safety Precautions	v
<hr/>	
Lifting Precautions	vi
<hr/>	
Overview and Specifications.....	1
<hr/>	
Six Shooter Operation Overview.....	2
Skid Steer Loader Requirements	2
Platinum Series Six Shooter	3
Six Shooter Parts	4
Standard Speedplate Parts.....	5
<hr/>	
Unpacking and Assembling Instructions.....	6
Unpacking and Assembling Instructions	6
Unpacking the Platinum Series Six Shooter	7
Setting Cutting Diameter.....	11
Using The Standard Speedplate	12
Casting Lifter	14
Lifting Magnet.....	14

Optional Parts and Accessories15

- Centering System..... 15
- Cookie Lifter 15
- Cut, Pull and Plate Package 16
- Newcon Wood Plate Kit17
- Newcon Lift Shaft.....17
- Easyslope Marking Tool.....17
- Extended Blade - Platinum Series (Teeth Included) 18
- Lifting Device 18
- Manhole Rebuild Package..... 18
- Mark Rite Tool 19
- Material Packages 19
- Mr. Mister Silica Control..... 19
- Mr. Valve Blaster Unit20
- Debris Prevention System Package.....20
- Smooth Wall Speedplate.....20
- XL Speedplate21
- Water Valve Rebuild Package.....21

Maintenance Instructions 22

Product Registration Form 23

Thank You 24

Ready To Level Up Your Brand With Mr. Manhole?..... 25



Welcome

Congratulations on your purchase of the Platinum Series Six Shooter Customer Package. The Platinum Series Six Shooter is the latest in manhole repair technology, specifically crafted for high-volume repairs with increased power, speed, and durability.

This product manual contains complete instructions for unpacking and setting up the Six Shooter and the included components, as well as a parts and accessories guide for the optional items available for use with the Six Shooter.

It is extremely important to be aware of the precautions necessary for safe and proper use of this equipment. The Safety Summary contains an explanation of the warning and caution statements found throughout the manual, a list of general precautions, and a guide to recommended lifting methods.

Make sure that all operators study this manual carefully and keep it on file for future reference. Operators should also view the training instructions in the Video Resources section of www.mrmanhole.com.

Contact Us

We strive to provide superior products and the highest level of customer service. If you have any questions about your Platinum Series Six Shooter purchase, or any of our products, please contact Mr. Manhole.

Phone: 567-242-2221 • Fax: 419-692-1600 • Email: info@mrmanhole.com

You may also visit the Video Resources section of www.mrmanhole.com for demos of the Mr. Manhole parts and accessories.

Mr. Manhole Parts Warranty

The following Platinum Series Six Shooter, Gold Series Six Shooter and B-52 Cutter components will be warranted to be free from structural defects for a period of One Year from the Date of Purchase:

Part Description	Platinum Series Six Shooter Part #	Gold Series Six Shooter Part #	B-52 Cutter Part #
Top Drive	K-MM0369	K-MM0374	K-MM0371
Main Frame	K-MM0550	K-MM0549	K-MM0551
Bottom Drive	K-MM0370	K-MM0370	K-MM0370
Arms	P-MM0107	P-MM0018	N/A
Legs	A-MM0118	A-MM0013	A-MM0013

The above list includes all the Mr. Manhole parts that are warranted. All other products carry no warranty. All components that are to be replaced under warranty must be returned to the manufacturer in an unrepaired state. If the component has been repaired or modified in any way, the warranty is void. It is the responsibility of the purchaser to return defective parts to the manufacturer at: 125 South Canal Street, Delphos, Ohio 45833. You will be invoiced for the replacement item(s) and a credit will be issued upon receipt of the defective item.

Warranties are valid only for the original owner of the equipment and are non-transferable. Warranties apply from the Date of Purchase from Mr. Manhole and/or authorized distributors. The Product Registration Form must be received within 30 days of the purchase date, accompanied by the original sales receipt.

Safety Summary

Warnings and Cautions

Warning and caution statements are placed throughout this manual prior to procedures, practices, and/or conditions that could be hazardous to operators or could cause damage to equipment.

Operators must understand and apply the applicable safety precautions during all phases of equipment assembly and operation.

Be sure to review all warning and caution statements prior to set up and operation of the Six Shooter.

Warning and Caution Statement Definitions



WARNING: Operating procedures, practices, or conditions which could result in injury and/or loss of life if not strictly observed.



CAUTION: Operating procedures, practices, or conditions which could result in damage to, or destruction of equipment if not strictly observed.

Note Statements

Note statements are placed throughout the manual prior to procedures, practices, and/or conditions with information that is necessary for the operator to know before proceeding.

Note Statement Definition

NOTE: Information pertaining to operating procedures, conditions, and other factors that is necessary to know before proceeding.

General Safety Precautions

You must read and understand the entire manual before unpacking and assembling the Six Shooter and its components. Follow industry safety precautions and pay particular attention to Warning and Caution statements. See your supervisor for guidance if any questions arise.



WARNING: The following general safety precautions are to be followed at all times while operating the Six Shooter. These precautions will ensure personal safety and protection of the equipment. Failure to observe these safety precautions can result in death, serious injury, or serious equipment damage.

- Keep bystanders a minimum of 20 feet away from the working area of the Six Shooter. Stop operation immediately if anyone enters this perimeter.
- Locate underground electrical wires, telephone cables, and gas, water, and sewer lines before digging. Maintain safe clearance and avoid contact with any underground or overhead utility lines or electrically-charged conductors.
- Wear protective clothing and equipment (gloves, eye protection, and other items as appropriate) approved for the equipment and tools being used. Contact your supervisor for guidance.
- Do not wear any loose-fitting items such as clothing or jewelry. Moving parts can catch on loose fitting items.
- Operators must not use drugs or alcohol prior to use of this equipment. An operator taking prescription or over the counter drugs should seek medical advice before operation.
- Never alter or remove any safety decals or safety shields. Check the equipment for location of these items and replace immediately if damaged or illegible.
- Do not attempt service or adjustment of equipment unless another person capable of rendering aid is present.
- Whenever changing or installing any component of the Six Shooter , make sure all connections are securely fastened.
- Avoid steep hillside operation, which could cause the vehicle carrying the Six Shooter to overturn. Consult the vehicle operation and safety manuals for the maximum incline allowable.
- This manual covers the safe unpacking, set up, and installation instructions for the Six Shooter only. Always read the operation and safety manuals prepared for the vehicle and any other attachments before using them.

Lifting Precautions

You must read and understand the entire manual before unpacking and assembling the Six Shooter and its components. Follow industry safety precautions and pay particular attention to Warning and Caution statements. See your supervisor for guidance if any questions arise.



WARNING: Failure to follow recommended handling/moving procedures could result in serious personal injury, death, or damage to the equipment. Improper handling of the Six Shooter is a lifting hazard. Failure to use the proper lifting method may result in serious personal injury.

If possible, operators should limit lifting to no more than 50 pounds. When lifting loads heavier than 50 pounds, use two or more people to lift the load.

The following table lists the major components of the Platinum Series Six Shooter Customer package, with equipment weights and recommended lifting methods:

Equipment Weights and Lifting Methods		
Part Name	Weight (lbs)	Recommended Lift Method
Platinum Series Six Shooter	1,400	Mechanical lift
Heavy Duty Auger Drive Model 40 2.5" Hex Drive	485	Mechanical lift
Standard Speedplate	85	2-person/mechanical
Standard Guide Shaft Platinum Series 39"	49	1-person
Casting Lifter Bracket - Platinum Series	22.5	1-person
Extended Guide Shaft Platinum Series 51"	64	2-person/mechanical

Table 1

Overview and Specifications

The Platinum Series Six Shooter Customer Package (K-MM0098) contains (See Figure 1):

- Platinum Series Six Shooter
- Heavy-Duty Auger Drive Model 40 2.5" Hex Drive [P-MM0070]
- Standard Speedplate [A-MM0130]
- Spare Parts Repair Kit [A-MM0147]
- Lifting Magnet [A-MM0045]
- Casting Lifter Bracket - Platinum Series [A-MM0078 - PLATINUM]
- Quick Change Teeth Gun Kit [A-MM0084]
- Debris Shield [A-MM0363]
- Extended Guide Shaft Platinum Series 51" [K-MM0513]
- Safety Bar [A-MM0065]
- 1 Bag Of Carbide Teeth And Roll Pins (24) [P-MM0026]

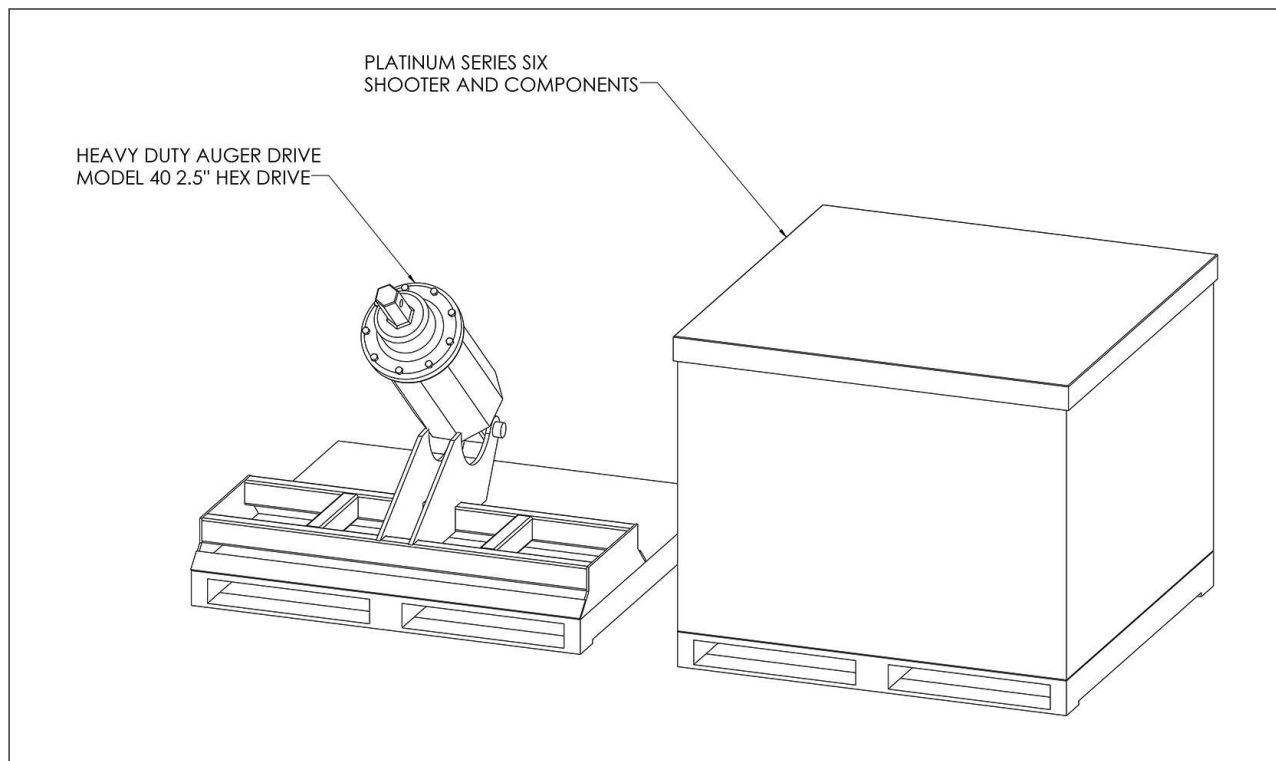


Figure 1. Platinum Series Six Shooter Package

Six Shooter Operation Overview

The Six Shooter cutting system runs on the heavy-duty auger drive, which is fed through the auxiliary hydraulic circuit of a skid steer loader with included hydraulic hoses. As the Six Shooter rotates, six Cutting Arms, each equipped with four replaceable carbide teeth, cut through concrete and asphalt without needing water or coolant. The carbide teeth can be replaced in minutes, even on the job site.

NOTE: The Six Shooter is designed to bounce up and down during operation, similar to a hammer drill. This motion increases its cutting ability.

The Six Shooter features an adjustable cutting diameter from 50 to 72 inches. The Cutting Arms are easily adjusted on the job site without extra tools. For larger jobs, the optional Arm Adapter 6" Kit - Gold Series (K-MM0532) allow a cutting diameter up to 72 inches. The blades have a cutting depth of 16 inches, or up to 22 inches with the optional 6" Extended Blades - Platinum (Teeth Included) [A-MM0422]. If necessary, use the optional Water Valve Rebuild Package (K-MM0325) to cut out water valve boxes.

For a complete list of the optional accessories available for the six shooter, see the optional Parts and accessories section in this manual, or visit www.mrmanhole.com

Skid Steer Loader Requirements

The Six Shooter attaches to your skid steer loader via a custom-built Heavy Duty Auger Drive Model 40 2.5" Hex Drive [P-MM0070]. The use of a skid steer allows the operator to see the work in progress during use of the Six Shooter. See Figure 2 below.

The skid loader must have 2,500 lbs minimum lifting capacity.

The skid loader must be capable of providing at least 20 gpm hydraulic flow. The flow determines the rpm of the Six Shooter, so a higher gpm flow translates to faster cutting speed. It is a plus for the skid loader to have a high flow hydraulic circuit generating 30-45 gpm flow.

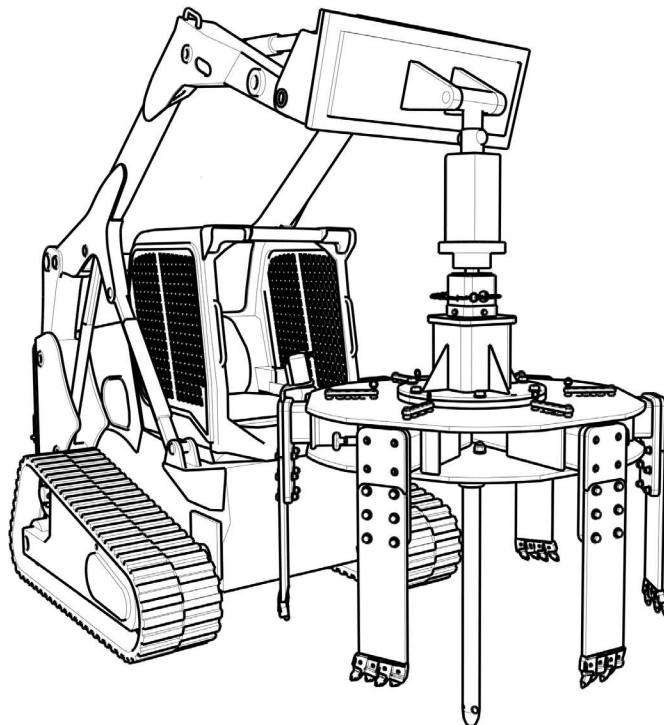


Figure 2. Skid Loader with Six Shooter Attached

Platinum Series Six Shooter

The Six Shooter unit is the heart of the Mr. Manhole system.

The Six Shooter has six Cutting Arms and six Cutting Blades that are each armed with four teeth, mounted to the circular Main Frame. The Six Shooter attaches to a heavy-duty auger drive via the Easy Drive Top [K-MM0369].

See Figure 3 for a detailed illustration of the components of the Six Shooter.

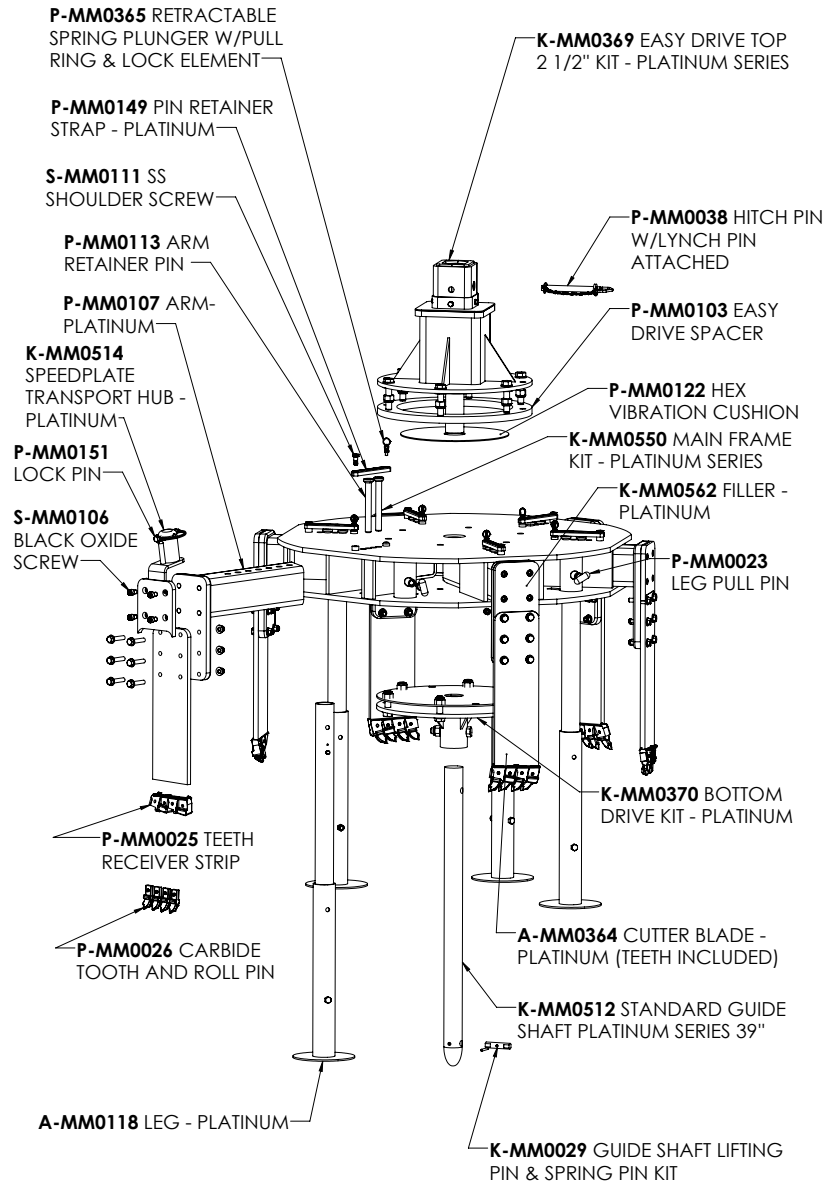


Figure 3. Six Shooter Components

Six Shooter Parts

Following are the components of the Platinum Series Six Shooter with part numbers and weights:

Platinum Six Shooter Parts List		
Part Name	Part Number	Weight
Easy Drive Top 2 ½" Kit - Platinum Series	K-MM0369	221 lbs
Main Frame Kit - Platinum Series	K-MM0550	725 lbs
Arm - Platinum (6)	P-MM0107	339 lbs
Cutter Blade - Platinum (6)- (Teeth Included)	A-MM0364	150 lbs
Carbide Tooth And Roll Pin (24)	P-MM0026	10 lbs
Arm Retainer Pin (12)	P-MM0113	12 lbs
Leg - Platinum (4)	A-MM0118	98 lbs
Standard Guide Shaft Platinum Series 39"	K-MM0512	49 lbs
Bottom Drive Kit	K-MM0370	56.5 lbs
Filler - Platinum (6)	K-MM0562	6.5 lbs
Pin Retainer Strap - Platinum (6)	P-MM0149	.5 lbs
Retractable Spring Plunger With Pull Ring & Lock Element (6)	P-MM0365	1 oz
Speedplate Transport Hub - Platinum	K-MM0514	14 lbs
SS Shoulder Screw (6)	S-MM0111	1.5 lbs
Leg Pull Pin (4)	P-MM0023	.25 lbs
Teeth Receiver Strip	P-MM0025	2 lbs
Hitch Pin w/Lynch Pin Attached	P-MM0038	.25 lbs
Guide Shaft Lifting Pin and Spring Pin Kit	K-MM0029	.5 lbs
Easy Drive Spacer	P-MM0103	33 lbs
Hex Vibration Cushion	P-MM0122	3 lbs
Locking Pin	P-MM0151	.083 lbs
Hex Drive Black Oxide Screw	S-MM0106	.25 lbs

Standard Speedplate Parts

See Figure 4 for a detailed illustration of the parts on the Standard Speedplate.

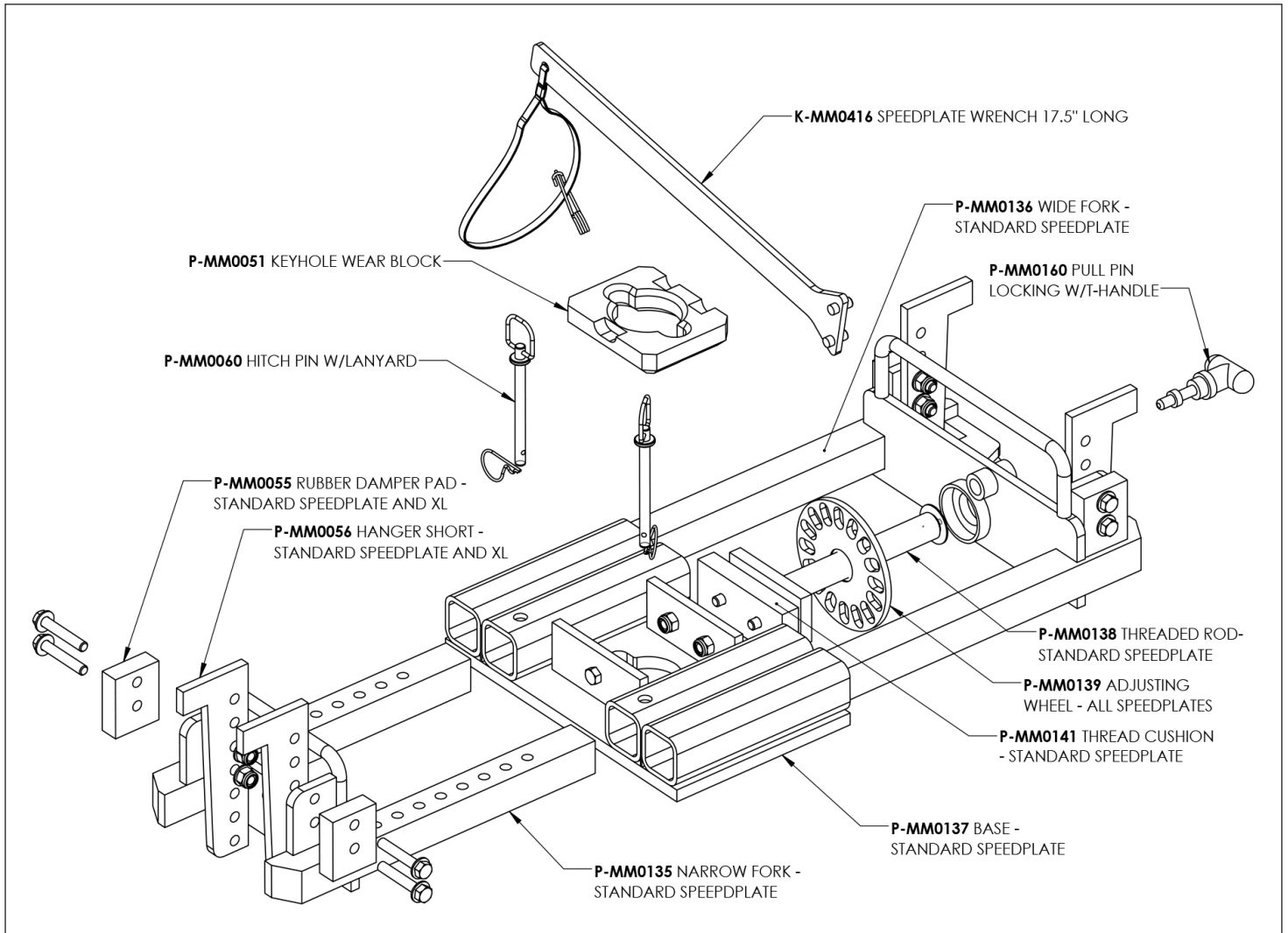


Figure 4. Standard Speedplate Parts

Before You Start

Clear the area around the Six Shooter shipping container for the unpacking and set-up process. You will need a forklift capable of lifting up to 2,500 pounds. You will also need the skid steer loader with the auger drive attached.

NOTE: The Heavy Duty Auger Drive Model 40 2.5" Hex Drive [P-MM0070], included in the Platinum Series Six Shooter system, is shipped separately and arrives on a pallet. See the Hydraulic Drive Unit Operator's Manual for the complete instructions for attaching the auger drive to the skid steer loader.

Unpacking and Assembling Instructions

This section contains instructions for unpacking and assembling the Six Shooter. After completing these instructions, the Six Shooter will be ready for use.



WARNING: Some components/elements of the Platinum Series Six Shooter system present a lifting hazard if not handled correctly. Failure to use the proper lifting method may result in serious personal injury. Refer to Table 1, Equipment Weights and Lifting Methods.



CAUTION: Be sure to wear protective clothing, such as gloves and steel-toed boots, approved for the equipment and tools used when unpacking and setting up the Six Shooter.

NOTE: You will need the following tools to unpack and set up the Six Shooter:

Required Tools List
Heavy-duty lifting strap with 2,000 lb lifting capacity
1-1/16 inch wrench
1-1/8 inch socket
3/4 inch socket
3/4 inch wrench
Banding cutter (to cut packing bands)

The Platinum Series Six Shooter package includes the following hardware:

- (36) 1/2-inch x 13 x 2 1/2 inch grade 8 bolts
- (36) 1/2-inch Grade 8 nylock nuts
- (72) 1/2-inch Grade 8 washers

Unpacking the Platinum Series Six Shooter

Unpack the Six Shooter in a central area where a forklift and skid steer loader can be used. Before proceeding with assembly, inspect the package and check the packing sheet/inventory of contents. Contact Mr. Manhole immediately if anything is missing. See Figure 5.

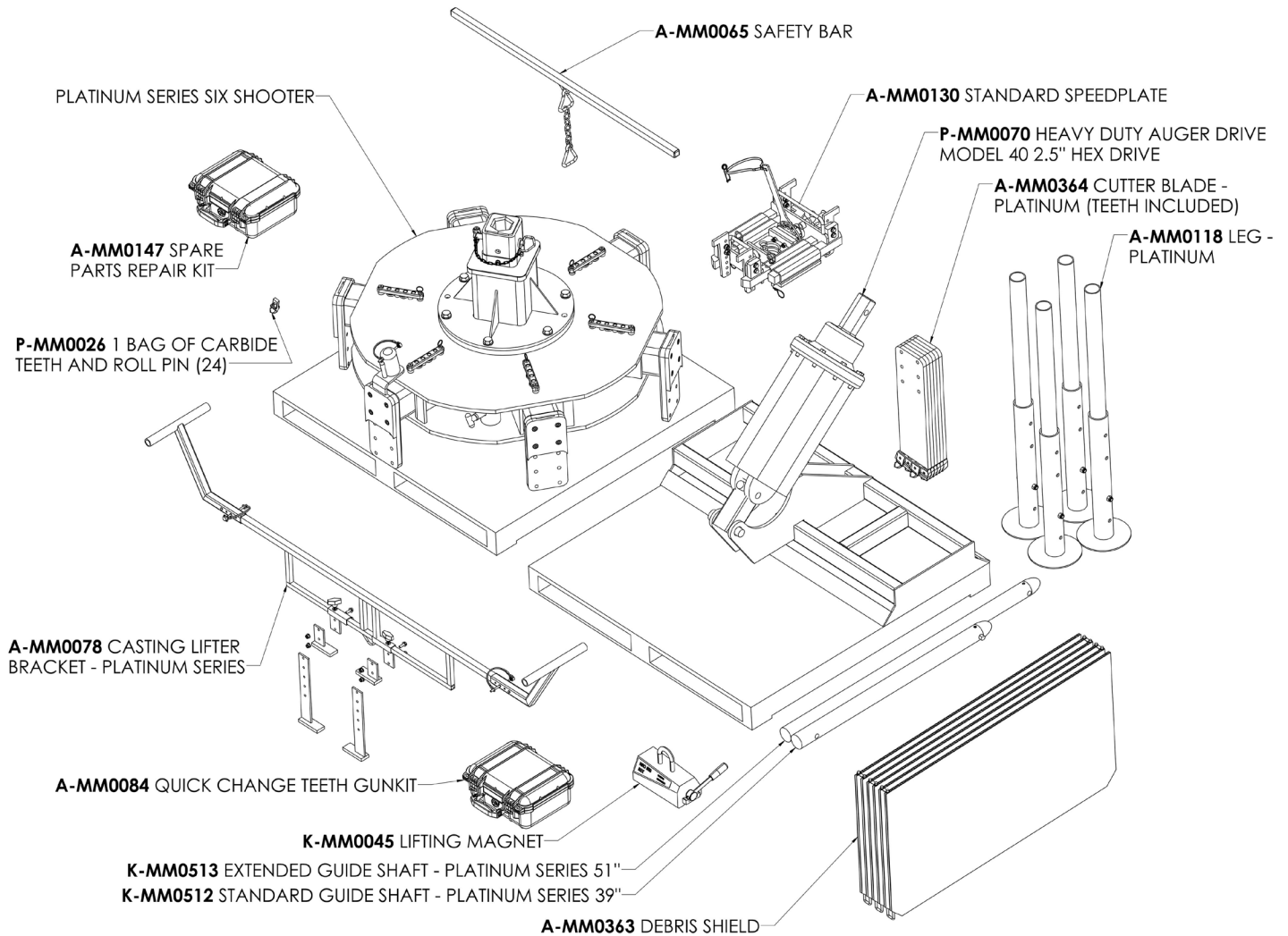


Figure 5. Package Contents

1. Remove the items from the top of the shipping container. Pull the hitch pin out of the Easy Drive Top on the Six Shooter and insert the lifting strap into the hole in the top of the Drive Unit. Reinsert the hitch pin through the strap. Loop the lifting strap onto the blades of the fork lift.



CAUTION: The Six Shooter presents a lifting hazard if not handled correctly. Use the proper lifting methods for handling all components of the Six Shooter System.

2. Using the lifting device, lift the Six Shooter straight up out of the shipping container and back away from the container.
3. Remove the four Supporting Legs from the box.
4. If using the Standard Guide Shaft Platinum Series 39" [K-MM0512], proceed to Step 5. If using the Extended Guide Shaft Platinum Series 51" [K-MM0513], the Supporting Legs will need adjusted to the lowest height. Loosen and remove the nut and bolt from the base of the Supporting Leg and extend it fully. Then replace and tighten the nut and bolt. Repeat for each leg. See Figure 7.

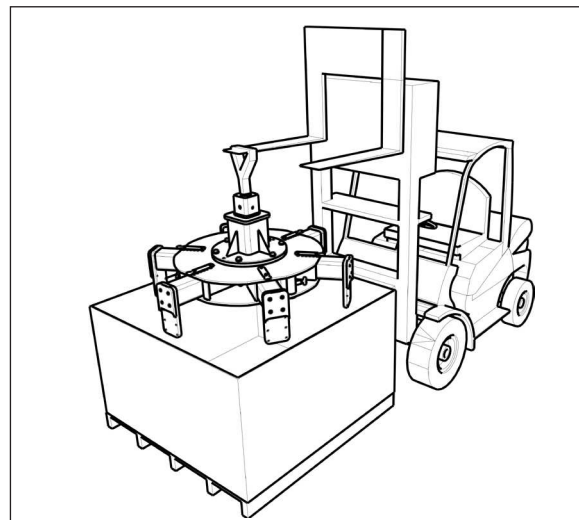


Figure 6. Lifting Six Shooter

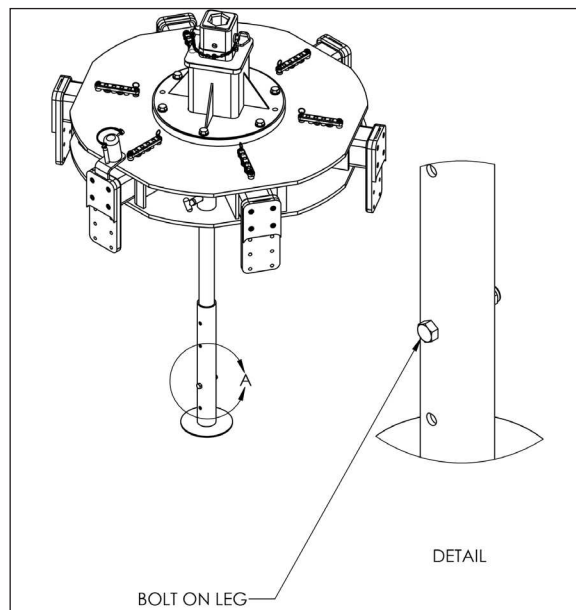


Figure 7. Loosening Bolt On Supporting Leg

5. The Six Shooter must remain suspended to attach the Supporting Legs. [A-MM0118] See Figure 8.

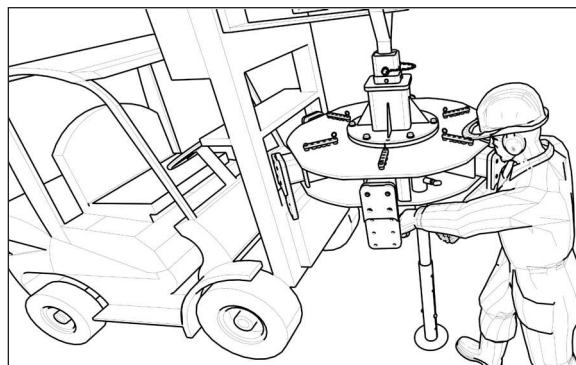


Figure 8. Attaching Supporting Legs To Six Shooter

6. Line up the bolt head with the slot in the leg sleeve, as shown in Figure 9.

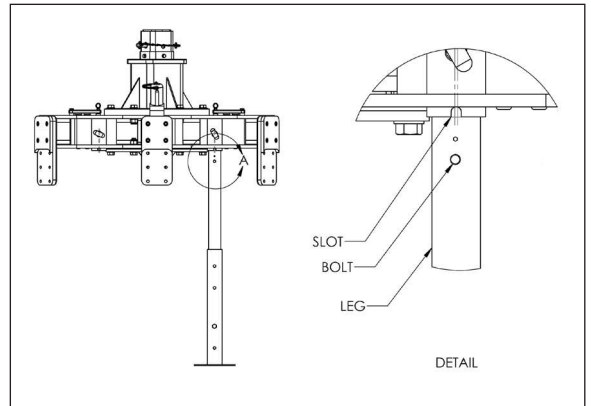


Figure 9. Close Up Of Bolt On Supporting Leg

7. Pull the Leg Pull Pin [P-MM0023] outward and slide the leg into the sleeve until the Leg Pull Pin is able to snap into the leg hole. See Figure 10.



CAUTION: Check to make sure the legs are fully attached and seated before lowering the Six Shooter. The Leg Pull Pins must be locked in place.

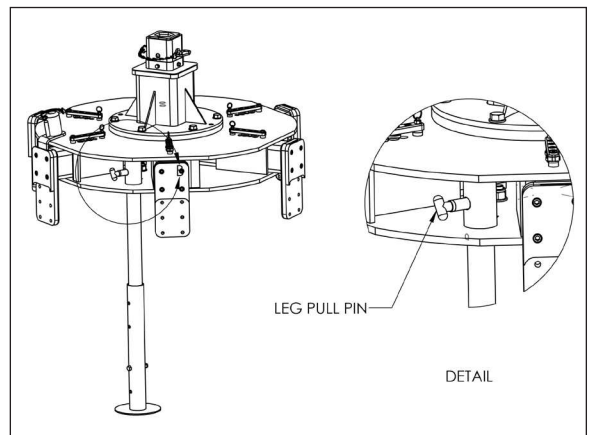


Figure 10. Leg Pull Pin For Leg

8. While the Six Shooter remains suspended, attach the Supporting Legs. Lower the Six Shooter to the ground until it is supported by the legs, as shown in Figure 11.



WARNING: The Six Shooter is heavy and could cause severe injury if it falls. Leave the lifting strap attached to the Six Shooter while performing the remaining steps. The Leg Pull Pin must be locked in place.

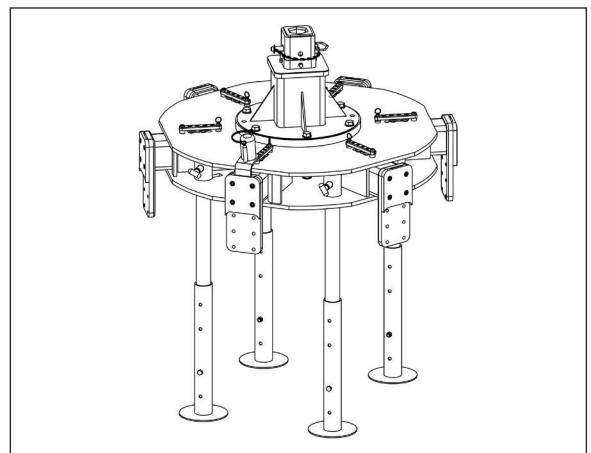


Figure 11. Six Shooter Resting On The Ground

9. Remove the Standard Guide Shaft Platinum Series 39" or Extended Guide Shaft Platinum Series 51" from the shipping container. See Figure 12.

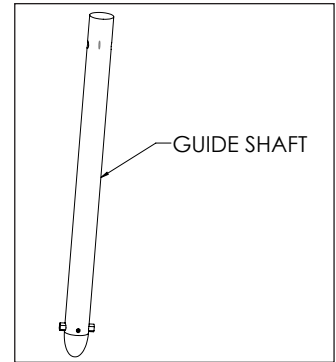


Figure 12. Removing Guide Shaft from Shipping Container.

10. Remove the bolt from one end of the Bottom Drive. Insert the Guide Shaft into the Bottom Drive of the cutter, being careful to line up the hole in the Guide Shaft with the hole in the Bottom Drive. See Figure 13.

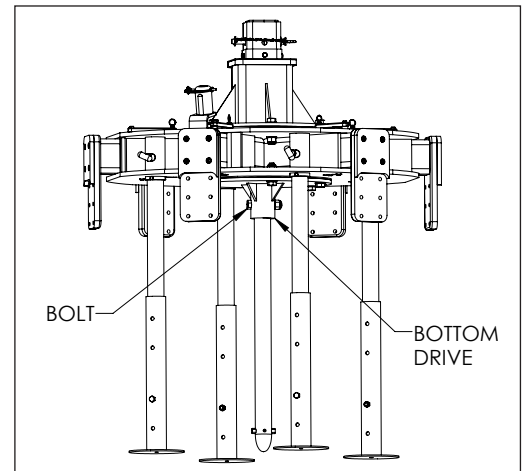


Figure 13. Inserting Guide Shaft Into Bottom Drive

11. Insert the bolt and securely tighten.
12. Using a 1-1/8 inch socket and a 1-1/16 inch wrench, fasten the bolt through the Bottom Drive and Guide Shaft.
13. To maximize space in the shipping container, the Six Shooter is shipped with its Cutting Blades detached. The Cutting Blades must be installed in the operational position before use. To install the Cutting Blades, use the 1/2" bolts (36), nuts (36), and washers (72). Install all 6 Cutting Blades as shown in Figure 14. (One note: As you face the blade, the teeth should point left.) Tools needed for installation: 3/4" socket and 3/4" wrench.

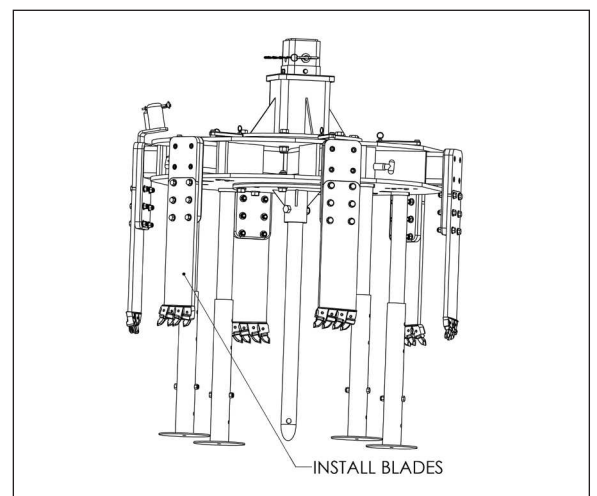


Figure 14. Install Cutting Blades

14. **Setting Cutting Diameter:**
Use the following steps to set the cutting diameter of the standard Cutting Arms (between 50 and 72 inches). Smaller-diameter cuts (between 26-34 inches) require the optional Water Valve Rebuild Package [K-MM0325].

Remove the Arm Retainer Pins [P-MM0113] to adjust the arm position, replace the retaining pins at the desired cutting diameter setting and lock into place. See Figure 15.

15. Repeat for each arm [P-MM0107], being certain to adjust all arms to the same cutting diameter.

NOTE: Because the Six Shooter is designed to bounce up and down during operation, similar to a hammer drill, the Cutting Arms will be able to move slightly after being attached.

16. Bring the skid steer loader with the Heavy Duty Auger Drive Model 40 2.5" Hex Drive [P-MM0070] attached to the Six Shooter.

17. Attach the Easy Drive Top [K-MM0369] of the Six Shooter to the Auger Drive, securing it with the provided Hitch Pin With Lynch Pin Attached [P-MM0038]. See Figure 16.

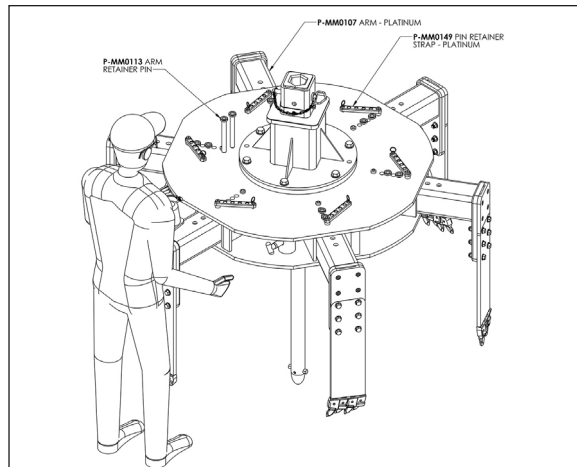


Figure 15. Setting Cutting Diameter

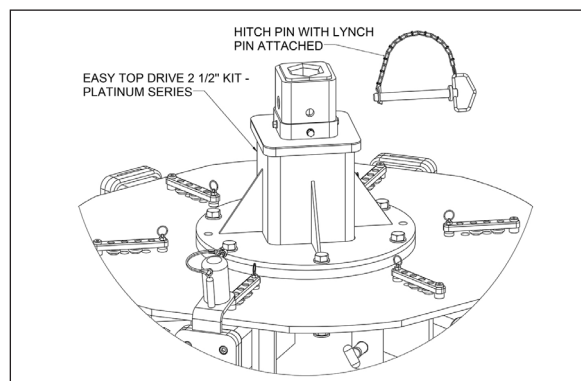


Figure 16. Hitch Pin With Lynch Pin Attached

CAUTION: The Hitch Pin With Lynch Pin Attached must be a Grade 8 pin to withstand the stress from picking up the road overcut and the manhole frames. Inspect the pin before every use and frequently during use. Replace pins as they become worn or severe equipment damage may result.

18. Once the Six Shooter is securely attached to the Auger Drive on the skid steer loader, remove the Supporting Legs. [A-MM0118] See Figure 17.

CAUTION: The Supporting Legs must be removed before using the Six Shooter or severe equipment damage may result.

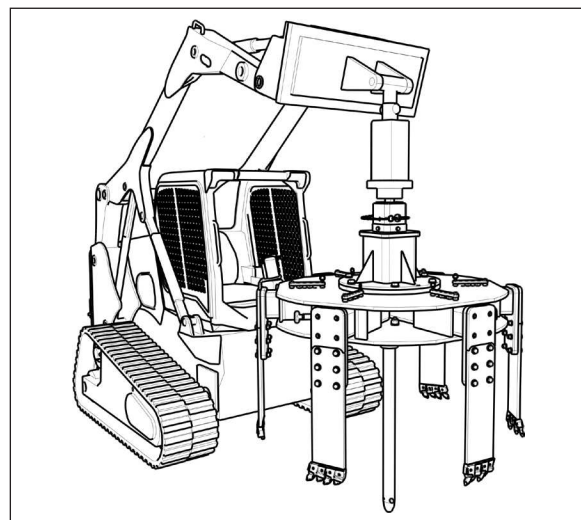


Figure 17. Cutter Attached To Skid Steer

Using the Standard Speedplate

The following paragraphs contain brief descriptions and set up instructions for the Standard Speedplate. Visit the Video section of www.mrmanhole.com for further training instructions and demos of the Mr. Manhole parts and accessories.

Standard Speedplate

Part Number: A-MM0130

Weight: 85 lbs

The Platinum Series Six Shooter Package ships with a Standard Speedplate. See Figures 18 and 19.

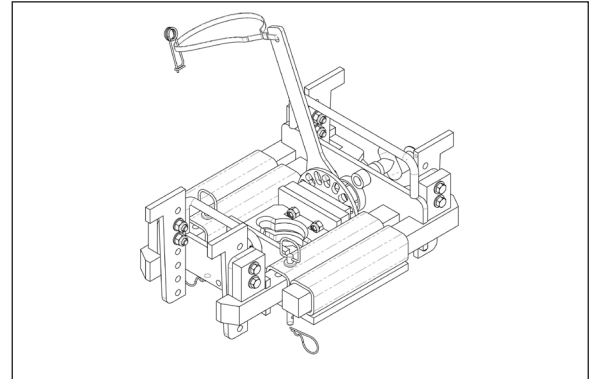


Figure 18. Speedplate And Components

The Standard Speedplate is used to repair and replace lid undercut style manhole frames with lid seat diameters from 19 to 25.5 inches.

1. Insert the speedplate into the manhole opening and adjust to center it within the lid seat.
2. Securely tighten the speedplate using the wrench provided in the Six Shooter Package.

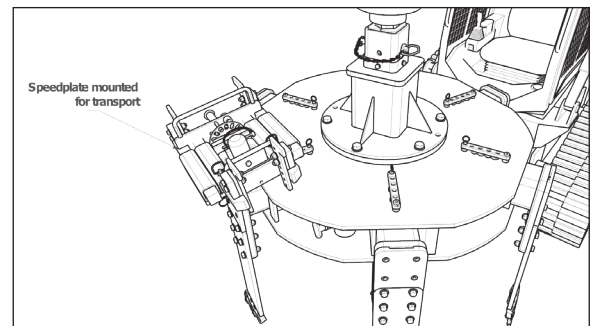


Figure 19. Speedplate can be transported on the built in Speedplate Transport Hub, located on the cutter arm.



CAUTION: Do not overextend the Standard Speedplate to fit a larger manhole diameter. Doing so can bend or break the unit. Use the XL Speedplate for lid seat diameters greater than 25.5 inches.

Cutting And Removing

To begin, define your frame style. See Figures 20, 21

The two major manhole frame types are the Lid Undercut, (the most popular), and the Smooth Wall. The Standard Speedplate [A-MM0130] is designed to work with the lid undercut manhole frames.

For Smooth Wall frames use the Smooth Wall Speedplate [A-MM0330], which is sold separately. For large diameter manhole frames (over 25 1/2") use the XL Speedplate [A-MM0331], which is also sold separately.

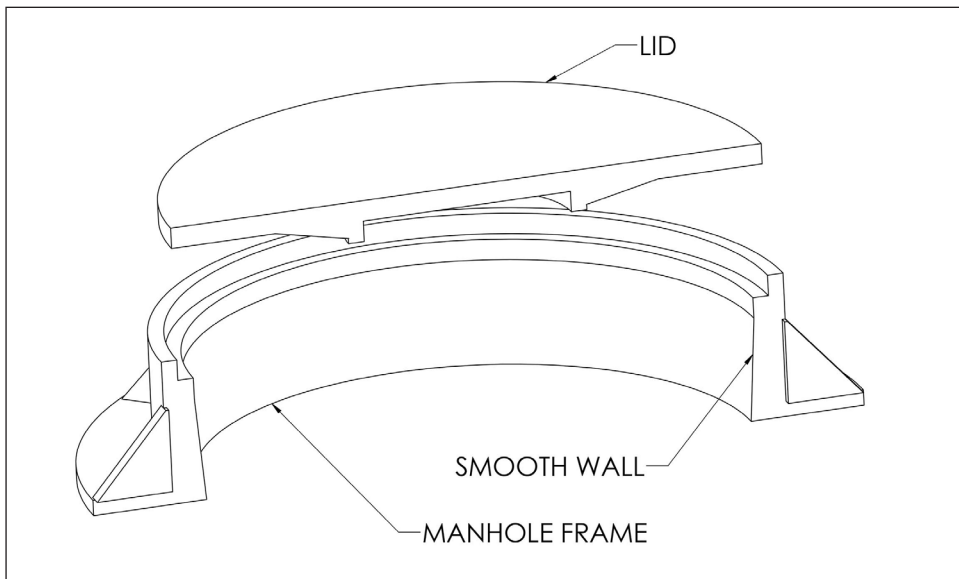


Figure 20. Smooth Wall Style

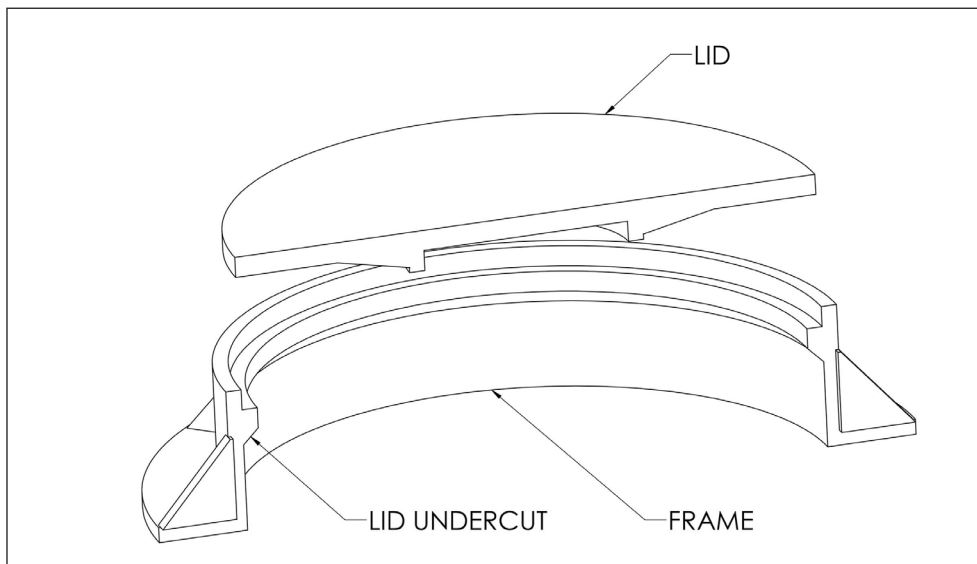


Figure 21. Lid Undercut

To begin the cutting process, select and insert the appropriate Speedplate. Tighten the Speedplate securely in place. Insert the Cutter Guide Shaft through the centering hole in the Speedplate. Erect the Debris Shield. Gently lower the Cutter towards the road and slowly initiate rotation counterclockwise. Engage the road surface and slowly increase rotation speed.

After penetrating the road, ensure the lift pin in the Guide Shaft is transverse to the key shaped centering hole and lift the frame and overcut from the road. Rotate the Cutter to disengage from the frame.

The Casting Lifter Bracket - Platinum Series [A-MM0078-Platinum] is used to lift manhole frames during the rebuilding process. It can be used by two or four men to lift heavy castings. See Figure 22.

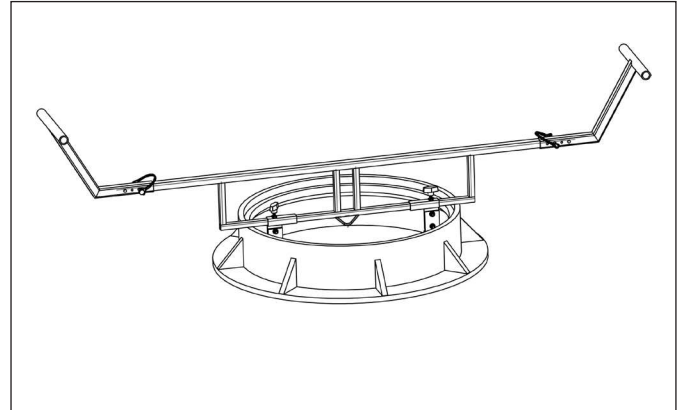


Figure 22. Casting Lifter Bracket - Platinum Series

The Lifting Magnet [K-MM0045] is used to lift manhole lids on and off the frame. See Figure 23 .

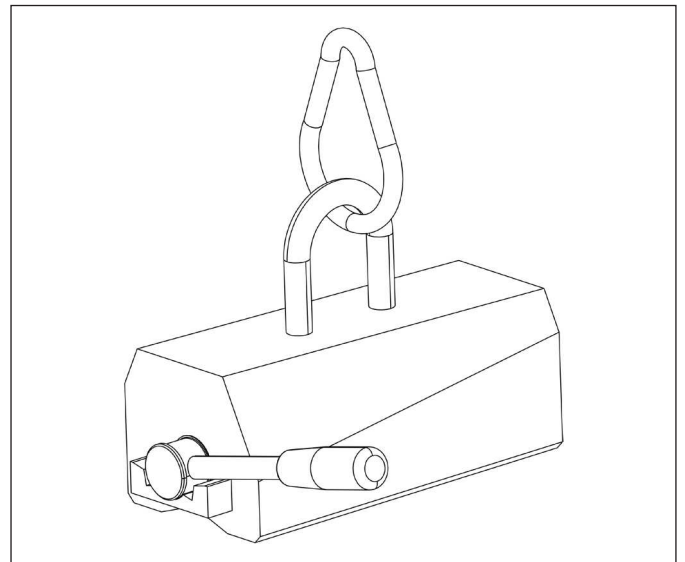


Figure 23. Lifting Magnet

Optional Parts and Accessories

The Six Shooter is a versatile tool with optional parts and accessories designed to handle a variety of manhole and valve box repairs. Contact Mr. Manhole to order any of the optional parts and accessories.

Phone: 567-242-2221

Fax: 419-692-1600

Email: info@mrmanhole.com

Website: www.mrmanhole.com

Centering System

Part Number: [K-MM0602]

Weight: 225 lbs

In some circumstances, the Guide Shaft for the cutter is impractical to use. The Centering Device can be installed and allows the cutter to operate even on a street or slab where no manhole exists. By drilling a 1-1/4" hole in the pavement and inserting the pin on the Centering Device, the cutter is centered for cutting.

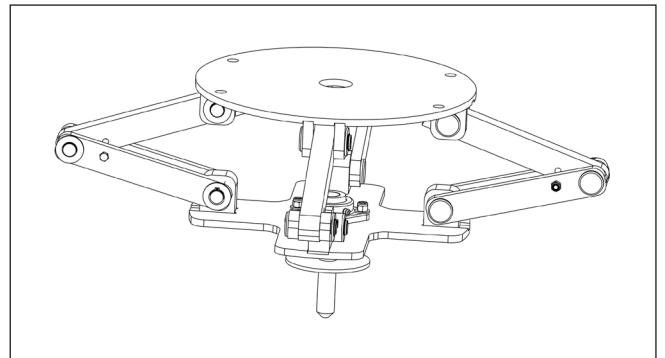


Figure 24. Centering System

Cookie Lifter

Part Number: [A-MM0220]

Weight: 425 lbs

The Cookie Lifter is a device that clamps the “cookie” that is cut with the Cookie Cutter and removes it from the road. It can be used to load the cookie on a truck/trailer for removal.

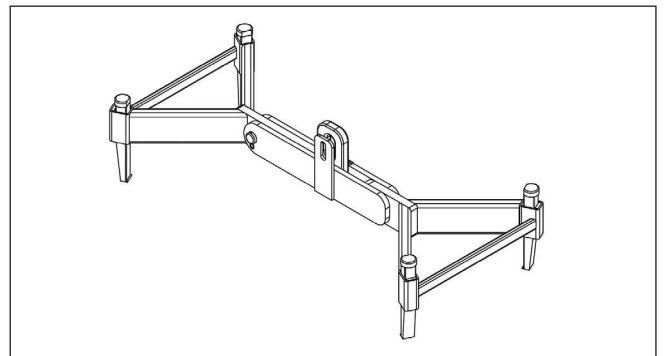


Figure 25. Cookie Lifter

Cut, Pull and Plate Package

Part Number: [K-MM0559]

Weight: 200 lbs

This is a starter package for the Cut, Pull, and Plate Method. (This package includes the 3/8" Newcon Plate. The 1/4" Newcon Plate can be purchased separately.)

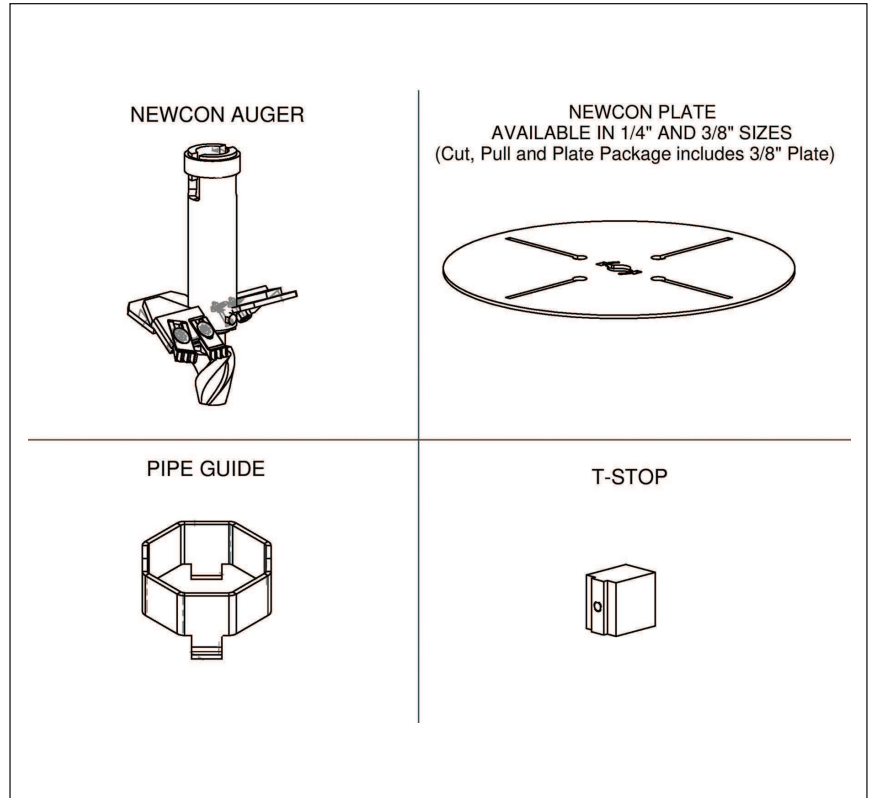


Figure 26. Cut, Pull and Plate Package

Newcon Wood Plate Kit

Part Number: [K-MM0609]

Weight: 65 lbs

Parts also sold separately:

[P-MM0607] Newcon Plate 3/4" Wood

[P-MM0605] Newcon Plate 11.5

The Newcon Plate 3/4" (Wood) is an alternative to the steel plates that are used to cover the manhole temporarily while road construction is in process.

The center includes two 11.5" steel plates, one on each side, that have a key shaped hole. This acts as a centering point for the Mr. Manhole Cutter. After cutting, the plate and all the material above the plate can be lifted by the cutter.

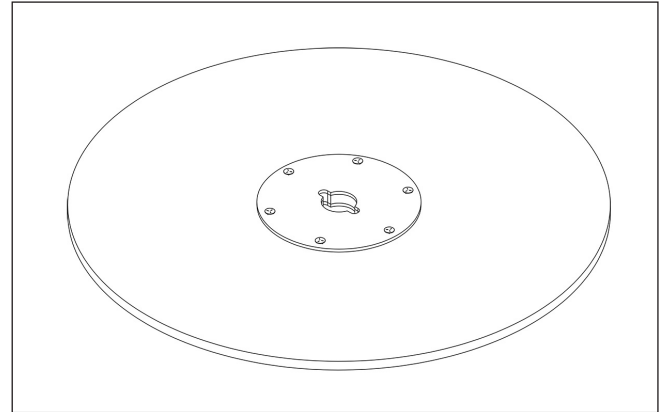


Figure 27. Cut, Pull and Plate Package

Newcon Lift Shaft

Part Number: [K-MM0474]

Weight: 35.5 lbs

This assembly is for the storage and transport of up to fifteen of the Newcon steel plates.



Figure 28. Newcon Plate Lift Shaft

Easyslope Marking Tool

Part Number: [A-MM0342]

Weight: 4.5 lbs

The Easy-Slope Tool is used during the manhole rebuild process to mark the insert liner for cutting at the appropriate height and slope.

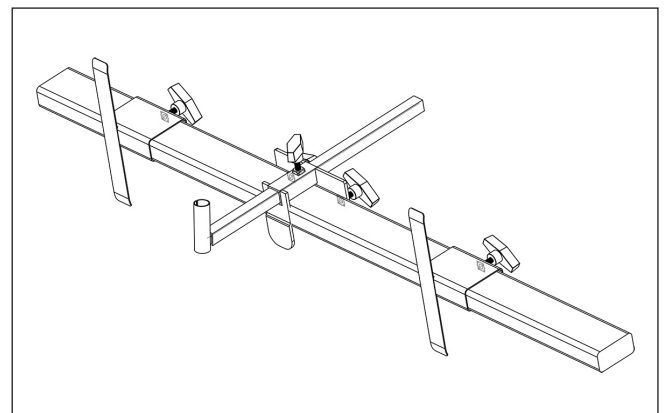


Figure 29. Easyslope Marking Tool

Extended Blade - Platinum Series (Teeth Included)

Part Number: [A-MM0422]

Weight: 37 lbs

This is the longer blade and the cutting teeth that bolts directly on the arm of the Gold Series Cutter. It allows cutting to a 20" depth.

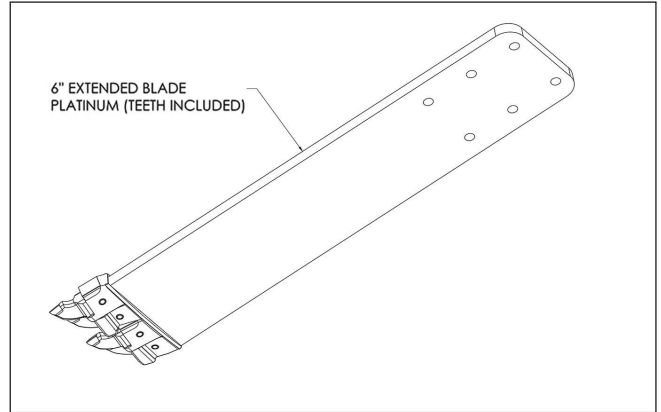


Figure 30. Extended Blade - Platinum Series (Teeth Included)

Lifting Device

Part Number: [A-MM0603]

Weight: 15.5 lbs

The lifting device is used to lift out the manhole frame and road overcut at some point after the cutting has been done.

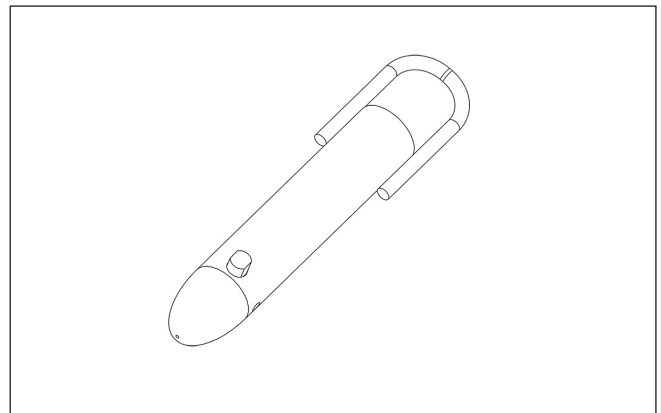


Figure 31. Extended Blade - Platinum Series (Teeth Included)

Manhole Rebuild Package

Part Number: [K-MM0332]

Weight: 81 lbs

This package contains all the major items needed to rebuild manholes. You receive the Battery Powered Sealant Gun with battery and charger for applying the Mr. Manhole sealant to the liner, the Battery Powered Saw with battery and charger for cutting the liner, the Battery Powered Concrete Vibrator with battery and charger, the Wire Tie Tool for fastening the rebar circles together, the Mark-Rite Tool for marking the Mr. Manhole insert liner (form for concrete), a Concrete Float to smooth the concrete, a Concrete Edger for creating the joint between the repair and the road surface, and a Concrete Brush to texture the surface of the repair.

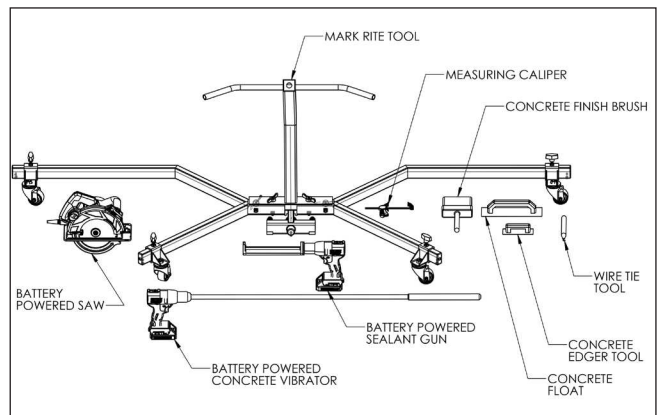


Figure 32. Manhole Rebuild Package

Mark Rite Tool

Part Number: [A-MM0304]

Weight: 50 lbs

The Mark-Rite Tool is used to mark the Mr.Manhole liner material for cutting to the proper height and slope during the manhole rebuild process.

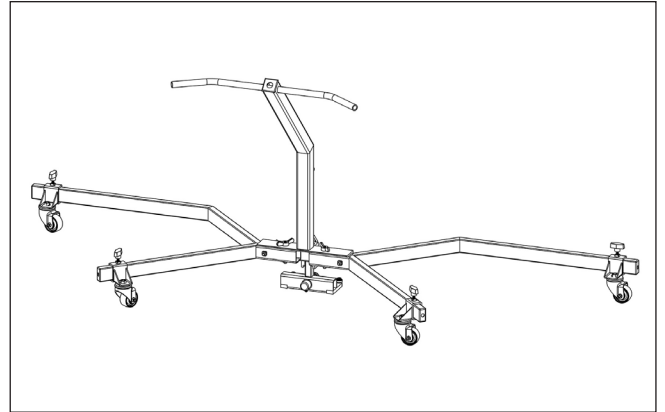


Figure 33. Mark Rite Tool

Material Packages

(Include these 2 items below in listing)

The Mr Manhole Material Package contains all the material needed (minus the ready mix concrete) to complete a Mr. Manhole repair.

27" Material Package

(Materials for Approx. 20 Manholes)

Part Number: [A-MM0333]

Weight: 685 lbs

30" Material Package

(Materials for Approx. 20 Manholes)

Part Number: [A-MM0334]

Weight: 735 lbs



Figure 34. Material Packages

Mr. Mister Silica Control

Part Number: [A-MM0328]

Weight: 21 lbs

The Mr. Mister is a water misting system that blankets the cutter with a mist of water while cutting is in progress. This mist mitigates the silica particles that are in the dust produced by cutting. The unit bolts directly to the Mr. Manhole drive motor. The unit ships with all hardware needed. The unit requires water from a dealer supplied water tank.

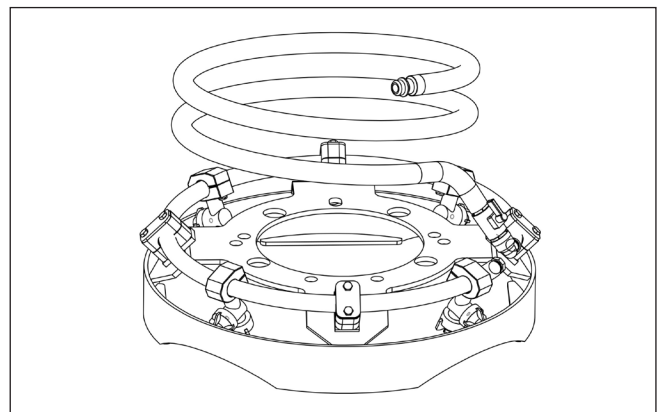


Figure 35. Mr. Mister Silica Control

Mr. Valve Blaster Unit

Part Number: [A-MM0480]

Weight: 95 lbs

The Blaster is used to break the top section of a water valve box and the surrounding pavement for removing and replacing the casting. It is powered by the auxillary hydraulic circuit of a skid steer loader or an excavator.

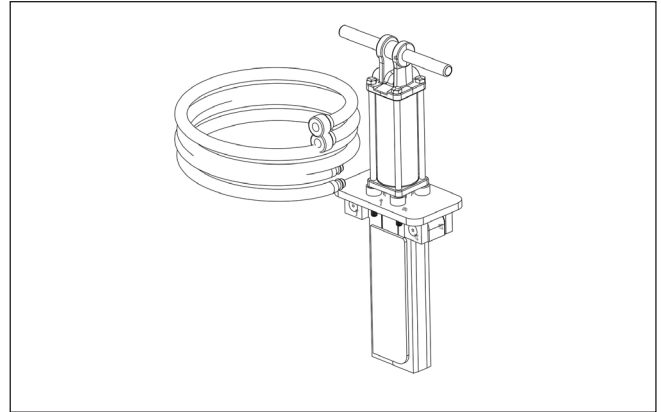


Figure 36. Mr. Valve Blaster Unit

Debris Prevention System Package

Part Number: [K-MM0404]

Weight: 109 lbs

The Debris Prevention System is used to prevent any debris entering the manhole structure during repair. It consists of a round top and a foot and a series of extension poles that reach the bottom of the manhole structure. There is a rubber sheet that the customer cuts to the the specific diameter of their manhole.

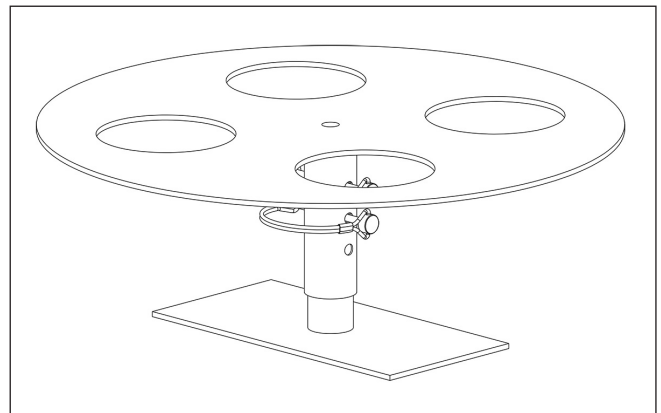


Figure 37. Debris Prevention System Package

Smooth Wall Speedplate

Part Number: [A-MM0330]

Weight: 131.5 lbs

The Smoothwall Speedplate is the centering device for the cutter when working with smooth wall manhole frames. The Speedplate expands to lock into the manhole frame and can be used to pull the frame and road overcut. The Smoothwall Speedplate works by expanding laterally when lifted. The sharp barbed grippers engage the smooth inner wall of the manhole frame.

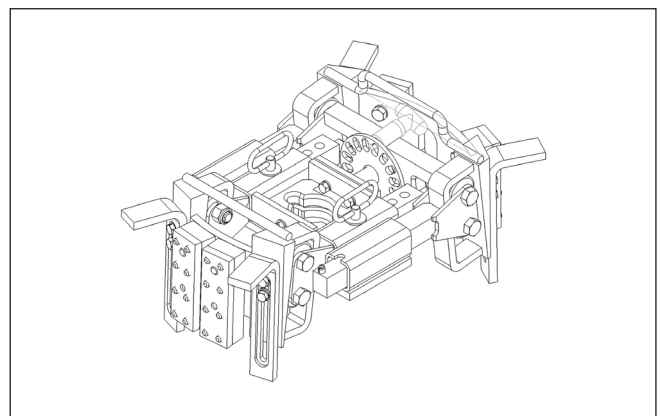


Figure 38. Smooth Wall Speedplate

XL Speedplate

Part Number: [A-MM0331]

Weight: 120 lbs

The XL Speedplate is the centering device for the cutter when working with oversized lid undercut manhole frames. The Speedplate expands to lock into the manhole frame and can be used to pull the frame and road overcut.

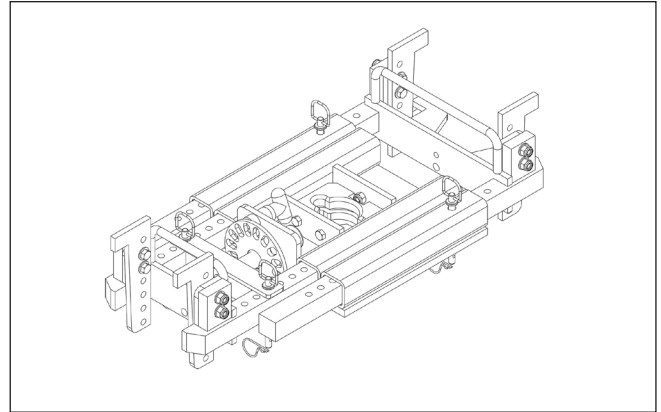


Figure 39. XL Speedplate

Water Valve Rebuild Package

Part Number: [K-MM0325]

Weight: 470 lbs

The Water Valve Rebuild Package includes the items you will need to cut and remove water valves for rebuilding. You receive the Underslung Arms for reduced diameter cutting, as well as, the Water Valve Cutting Blades which are reduced diameter blades. They can cut a diameter from 26" to 34" when mounted on the Platinum Series Cutter. It includes a hardware package for attaching the blades to the Underslung Arms. The package also includes the Mr. Valve Centering Cone and Reducer Ring.

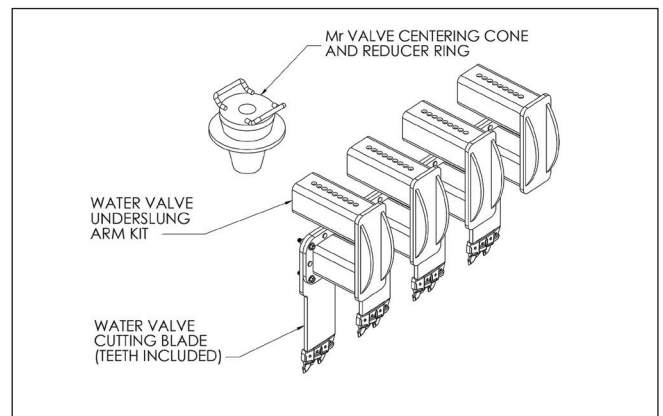


Figure 40. Water Valve Rebuild Package

Maintenance Instructions

1. CLEAN HYDRAULIC OIL IS ESSENTIAL! 80% of all hydraulic component failures are caused by contamination of the hydraulic oil. Always keep all dirt and other contaminants from entering the hydraulic system during disconnect and connect operations. Always use dust caps and plugs on all quick disconnects when not in use. Tightly cap all hydraulic openings to hold oil in and keep dirt and other contaminants from entering hydraulic systems.

2. CHECK ALL HYDRAULIC OIL DAILY FOR CONTAMINATION. If contamination is present, determine the source of the problem.

3. INSPECT ALL HYDRAULIC HOSE ASSEMBLIES DAILY for cracked and brittle covers caused by excessive heat. Reduced viscosity of hydraulic oil occurs at higher operating temperatures and causes a breakdown of fluid additives such as wear inhibitors. Excessive heat will cause higher internal leakage in the drive unit motor to become brittle and crack. Replacement of hoses before failure will prevent loss of hydraulic oil, time consuming “bleeding” of the system, hydraulic oil contamination, and component damage caused by cavitations. It will also reduce the chance of personal injury caused by hydraulic fluid.

4. CHECK CUTTER DAILY for loose, worn or broken cutting teeth. Worn teeth can drastically affect cutter penetration and greatly reduce cutter life expectancy. Always keep spare teeth on hand. Some digging conditions may require checking teeth at more frequent intervals. 5. CHECK DRIVE UNIT AND ALL ACCESSORIES DAILY for loose, bent, cracked, or worn, bolts and fasteners. Always use grade 5 or better replacement bolts. Always use lock washers with standard hex nuts or self locking nuts.

5. CHECK ALL CONNECTING PINS DAILY for bends, cracks, breaks, or wear. Replace if any of these conditions exist.

6. CHECK DRIVE UNIT OUTPUT SHAFT DAILY for bends, cracks, breaks, or wear. Replace if any of these conditions exist.

7. CHANGE PLANETARY GEAR REDUCTION OIL AFTER FIRST 50 HOURS OF OPERATION, THEN EVERY 1000 HOURS OR IN ONE YEAR, WHICHEVER COMES FIRST. Use mild extreme pressure lubricant API-GL-5 number 80 or 90 for filling planetary gear reduction under normal temperature ranges between 0 degrees and 120 degrees. Approximate oil capacity for MM-SUPER DUTY is two quarts. Check oil level daily to assure proper lubrication is maintained.

8. When storing Drive Unit for any length of time be sure Drive Unit motor and hoses are full of clean oil. Also, be sure that Planetary Gear Reduction is full to the recommended capacity for each model as outlined in number 8 above. 10. Drive Unit Output Shaft, inside of Cutter Collar, and all Connecting Pins should be coated liberally with grease as required to prevent rust and reduce wear.

9. Check Planetary Gear oil as follows. Lie Drive Unit horizontal with ground place bottom drain plug straight up. Remove plug, tilt drive unit at 2:00 or 10:00. Fill until oil leaks out from hole at one of these positions.

Product Registration Form

Please complete the Product Registration Card and return WITH ORIGINAL PURCHASE RECEIPT to Mr. Manhole at 125 S. Canal St., Delphos, OH 45833 by mail WITHIN 30 DAYS OF PURCHASE in order to validate this warranty. You can also register on our website www.mrmanhole.com.

For Parts and Customer Service, please call 567-242-2221, fax 419-692-1600 or email info@mrmanhole.com

Business Name: _____

Name (Last, First): _____

Street Address: _____

City: _____ State: _____ Zip: _____

Phone: _____

Platinum Series Six Shooter: Serial Number* _____

I have received the training material included with my product(s) and have reviewed such material as to operate the equipment safely in its intended manner.

Signature: _____

Place of Purchase: _____ Date of Purchase: _____

* The serial number for the Platinum Series Six Shooter is located inside the main disc of the Six Shooter along the side, where the cutting arms slide in and out. The serial number is also included with your paperwork.



Thank you for purchasing the Mr. Manhole tools. It is my sincere hope that you use the tools and methods to become even more successful in the field of manhole rebuilding.

We have invested thousands of hours designing and building these tools and methods so you don't have to spend your valuable time doing so. You can get out there and focus on serving your customer with the very best technology on the planet.

It is my desire to offer you the very best tools, service, and support as you pursue your business goals. You will find all of us at Mr. Manhole are committed to helping you succeed.

Any needs or questions you have, please reach out and let us help you. Thanks again for joining the Mr. Manhole team!



Michael K. Crites

Designer and Developer of
The Mr. Manhole System

Ready to level up your brand with Mr. Manhole?

We've got you covered with our installer portal! Everything you need to grow your business with Mr.Manhole:

- Training Videos
- Marketing Resources
- The Mr. Manhole Knowledge Base
- Brand Promotional Tools & Free Website Page Builder
- Spec Sheets & Job Calculators
- Product Registration
- Quick Ordering

And More!



**Visit Your
Installer Portal**

Connect with Mr. Manhole



mrmanhole



mrmanhole



mrmanhole



mr.manholetool

Contact Mr. Manhole

Phone: 567-242-2221

Address: 125 S. Canal Street Delphos, OH 45833

Email: Info@MrManhole.com

Ready to get started?
Visit your Installer Portal



Phone: 567-242-2221

Fax: 419-692-1600

Email: info@mrmanhole.com

Website: www.mrmanhole.com

Address: 125 S Canal St.
Delphos, OH 45833